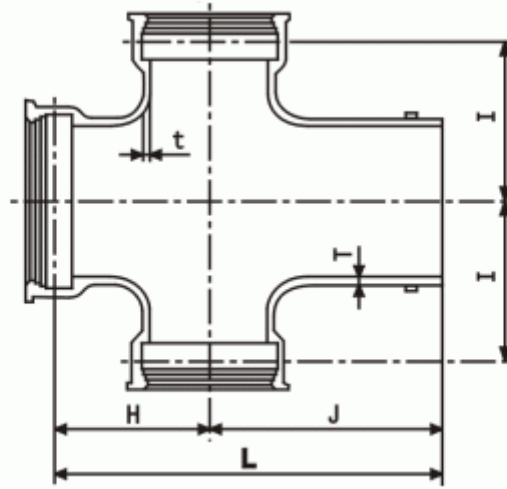




●Type U All Socket Cross



Nominal size		Thickness		Dimensions				Weight (kg)
D	d	T	t	H	I	J	L	
700	500	17	15	725	600	980	1705	723
800	600	18	16	795	670	1030	1825	925
900	700	19	17	875	855	1090	1965	1310

Note: Socket of 600mm and under are K type.